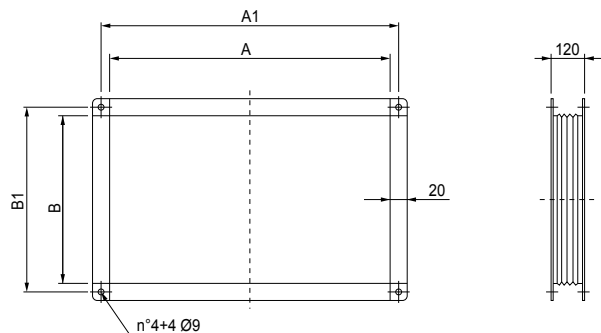
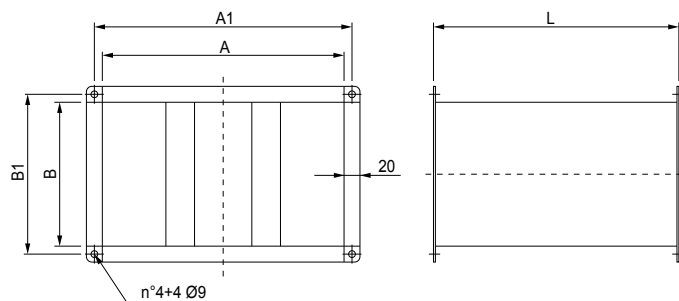


GIUNTO ANTIVIBRANTE - FLEXIBLE JOINT



| Cod. | TIPO TYPE | A | A1 | B | B1 |
|---------|--------------|-----|-----|-----|-----|
| 5GA2421 | 4x2 | 400 | 420 | 200 | 220 |
| 5GA2526 | 5x25 | 500 | 520 | 250 | 270 |
| 5GA2531 | 5x3 | 500 | 520 | 300 | 320 |
| 5GA2631 | 6x3 | 600 | 620 | 300 | 320 |
| 5GA2656 | 6x35 | 600 | 620 | 350 | 370 |
| 5GA2741 | 7x4 | 700 | 715 | 400 | 420 |

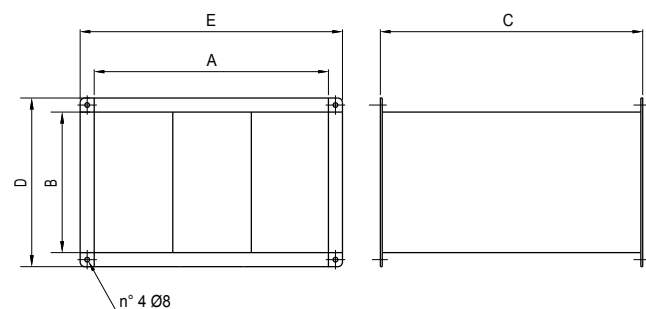
Dimensioni in mm / Dimensions in mm



| Cod. | TIPO TYPE | A | A1 | B | B1 | L |
|---------|--------------|-----|-----|-----|-----|-----|
| 5GA2421 | 4x2 | 400 | 420 | 200 | 220 | 500 |
| 5GA2526 | 5x25 | 500 | 520 | 245 | 270 | 560 |
| 5GA2531 | 5x3 | 500 | 520 | 297 | 320 | 560 |
| 5GA2631 | 6x3 | 600 | 620 | 297 | 320 | 710 |
| 5GA2656 | 6x35 | 600 | 620 | 347 | 370 | 710 |
| 5GA2741 | 7x4 | 700 | 720 | 397 | 420 | 780 |

Dimensioni in mm / Dimensions in mm

SILENZIATORE - SILENCER



| Cod. | TIPO TYPE | A | B | C | D | E |
|---------|--------------|-----|-----|-----|-----|-----|
| 1SI2421 | 4x2 | 400 | 200 | 500 | 240 | 440 |
| 1SI2526 | 5x25 | 500 | 250 | 560 | 310 | 560 |
| 1SI2531 | 5x3 | 500 | 300 | 560 | 360 | 560 |
| 1SI2631 | 6x3 | 600 | 300 | 710 | 360 | 660 |
| 1SI2636 | 6x35 | 600 | 350 | 710 | 410 | 660 |
| 1SI2741 | 7x4 | 700 | 400 | 780 | 440 | 740 |

Dimensioni in mm / Dimensions in mm

| TIPO TYPE | Attenuazione (dB) in bande di frequenza (Hz) Noise attenuation (dB) in octave spectrum | | | | | | | |
|--------------|---|-----|-----|-----|----|----|----|----|
| | 63 | 125 | 250 | 500 | 1k | 2k | 4k | 8k |
| 4x2 | 3 | 6 | 12 | 20 | 25 | 23 | 15 | 11 |
| 5x25 | 2 | 4 | 7 | 13 | 16 | 15 | 10 | 8 |
| 5x3 | 2 | 5 | 6 | 12 | 15 | 14 | 9 | 7 |
| 6x3 | 4 | 7 | 13 | 21 | 26 | 24 | 16 | 12 |
| 6x35 | 3 | 6 | 12 | 20 | 25 | 23 | 15 | 11 |
| 7x4 | 2 | 4 | 7 | 13 | 16 | 15 | 10 | 8 |

Dimensioni in mm / Dimensions in mm

sez.
1.6