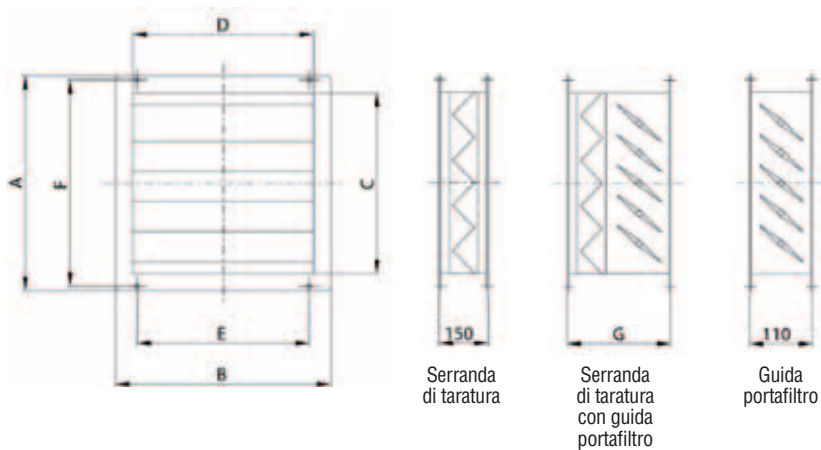


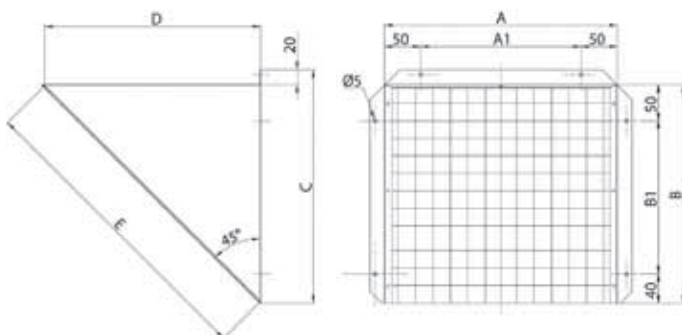
GUIDA PORTAFILTRO - FILTERING SECTION



TIPO TYPE	A	B	C	D	E	F	G
7/7	375	375	315	315	300	360	180
9/	458	458	398	398	253	443	210
10/	505	555	445	495	415	490	210
12/	595	705	535	645	500	580	210

Dimensioni in mm / Dimensions in mm

TERMINALE PARAPIOGGIA CON RETE RAIN PROOF DISCHARGE OUTLET WITH GUARD



Cod.	TIPO TYPE	A	A1	B	B1	C	D	E
5TR0185	7/7	267	167	245	155	265	240	340
5TR0187	9/	320	220	300	210	320	296	420
5TR0188	10/	357	257	330	240	350	326	460
5TR0183	12/	420	320	380	290	400	376	530

Dimensioni in mm / Dimensions in mm

PIEDE FEET

Cod.	TIPO / TYPE
1AL5002	Piede per BOX-D (4 pz.) - Feet for BOX-D (4 pz.)